

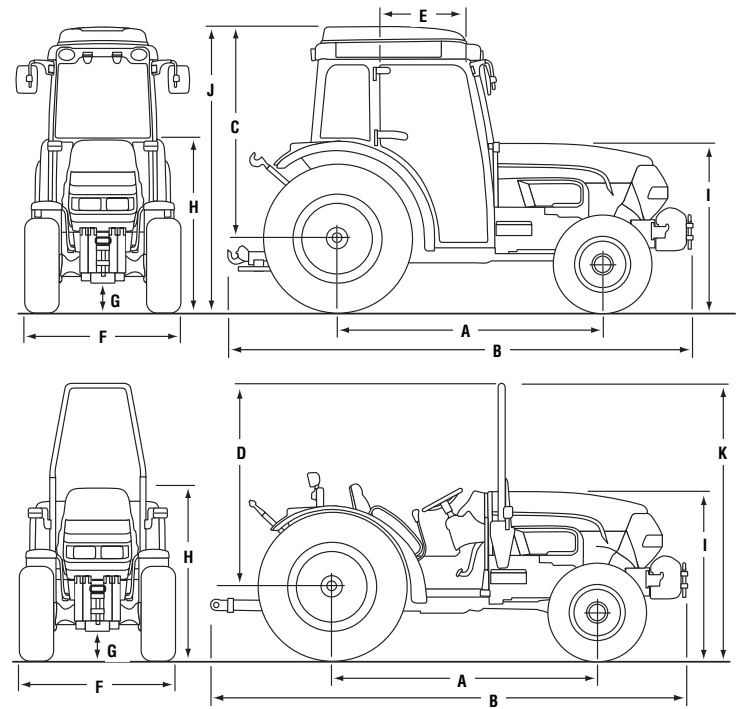
CASE *III*

JXN SERIES TRACTORS



SPECIFICATIONS	JX1075N - 2WD/MFD	JX1095N (MFD ONLY)
POWER		
Gross Engine Horsepower	75 hp (55.9 kW)	91 hp (67.9 kW)
PTO Horsepower	62 hp (46.2 kW)	80 hp (59.7 kW)
Rated Speed (RPM)	2300	2300
Number of Cylinders/Aspiration	3/Turbocharged	4/Turbocharged
Displacement	179 cu. in. (2.9 L)	238 cu. in. (3.9 L)
Engine Torque @ 1400 RPM	221 lb-ft (300 Nm)	264 lb-ft (358 Nm)
Engine Torque Rise	37%	35%
Emission Standard	Tier II	Tier II
Throttle	Hand/Foot	Hand/Foot
FUEL SYSTEM		
Fuel Injection	Direct, mechanical governor	Direct, mechanical governor
TRANSMISSION & AXLES		
Standard	16x16 with mechanical shuttle	16x16 with mechanical shuttle
Rear Differential Lock - 2WD/MFD	Mechanical/Electrohydraulic	Electrohydraulic
MFD Engagement	Electrohydraulic	Electrohydraulic
Rear Axle Capacity	6,614 lb. (3000 kg)	6,614 lb. (3000 kg)
Brakes	Hydraulic wet disc	Hydraulic wet disc
Parking Brake	Independent, hand lever	Independent, hand lever
Ground Speed*	0.4-18.3 mph (0.6-29.5 kph)	0.4-18.3 mph (0.6-29.5 kph)
Maximum Turning Angle - 2WD/MFD	55°	55°
Maximum Axle Oscillation - 2WD/MFD	11°	11°
Front Axle Capacity - 2WD/MFD	3,527 lb. (1600 kg)/4,409 lb. (2000 kg)	4,409 lb. (2000 kg)
HYDRAULICS & HITCH		
Hydraulic System	Open center	Open center
System Pressure	2,610 psi (180 bar)	2,610 psi (180 bar)
Steering and Services Pump	6.5 gpm (24.6 L/min)	6.5 gpm (24.6 L/min)
Implement Pump - 2WD/MFD	12.4 gpm (46.9 L/min)/16.9 gpm (64 L/min)	16.9 gpm (64 L/min)
Total Tractor Flow - 2WD/MFD	18.9 gpm (71.5 L/min)/23.4 gpm (88.6 L/min)	23.4 gpm (88.6 L/min)
Rear Remote Valves	2 standard	2 standard
Steering Type	Hydrostatic	Hydrostatic
Hitch Category	II convertible to I and I-N	II, convertible to I and I-N
Sensing Type	Mechanical, lower link	Mechanical, lower link
Stabilizers	Adj. swing limiting plates	Adj. swing limiting plates
Hitch Lift Capacity (SAE) max.	3,962 lb. (1797 kg)	3,962 lb. (1797 kg)
PTO		
Type	Independent, dry clutch	Independent, dry clutch
Engagement	Mechanical, servo-assist	Mechanical, servo-assist
Speeds	540	540/1000
CAPACITIES		
Fuel Capacity	15 gal. (57 L)	15 gal. (57 L)
Alternator Amps	Platform - 45, Cab - 65	65
Battery Capacity (cold cranking amps)	730	800
LIGHTING, MEETS ASAE 5279.12		
Headlights	2	2
Work Lights	Platform - 1, Cab - 4	Platform - 1, Cab - 4
Warning/Flashers	Standard	Standard

* Ground speed measured with 380/70R24 tires.



DIMENSIONS**	JX1075N - 2WD/MFD	JX1095N (MFD ONLY)
A. Wheelbase	80.1 in. (2035 mm)/81.1 in. (2060 mm)	85.6 in. (2175 mm)
B. Overall Length	152 in. (3861 mm)/153.5 in. (3900 mm)	158 in. (4015 mm)
C. Rear Axle to Top of Cab	68.6 in. (1743 mm)	68.6 in. (1743 mm)
D. Rear Axle to Top of Rollbar	65 in. (1651 mm)	69.5 in. (1766 mm)
E. Cab Door Width	32 in. (810 mm)	32 in. (810 mm)
F. Minimum Overall Width	52.9 in. (1346 mm)/53.4 in. (1357 mm)	53.4 in. (1357 mm)
G. Minimum Ground Clearance	10.5 in. (266 mm)	10.5 in. (266 mm)
H. Height to Top of Fenders	51.3 in. (1302 mm)	51.3 in. (1302 mm)
I. Height to Top of Hood	51 in. (1294 mm)	51 in. (1294 mm)
J. Height to Top of Cab	90.7 in. (2303 mm)	90.7 in. (2303 mm)
K. Height to Top of Rollbar	87 in. (2211 mm)	91.6 in. (2326 mm)
Total Weight - Platform	5,027 lb. (2280 kg)/5,560 lb. (2540 kg)	5,820 lb. (2640 kg)
Total Weight - Cab	5,335 lb. (2420 kg)/5,886 lb. (2670 kg)	6,107 lb. (2770 kg)

** Both ROPS and Cab dimensions measured with 380/70R24 tires.

SAFETY NEVER HURTS!™ Always read the Operator's Manual before operating any equipment. Inspect equipment before using it, and be sure it is operating properly. Follow the product safety signs, and use any safety features provided.

CNH America LLC reserves the right to make improvements in design and changes in specifications at any time without notice and without incurring any obligation to install them on units previously sold. Specifications, descriptions and illustrative material herein are as accurate as known at time of publication, but are subject to change without notice.

This literature has been published for worldwide circulation. Availability of some models and equipment builds varies according to the country in which the equipment is used.

Case IH is a registered trademark of CNH America LLC.

Any trademarks referred to herein, in association with goods and/or services of companies other than CNH America LLC, are the property of those respective companies.

CASE IH IS A BRAND OF CNH.
A GLOBAL LEADER IN AGRICULTURAL AND CONSTRUCTION EQUIPMENT AND FINANCIAL SERVICES.

