

CASE *III*

JX SERIES



Excellent visibility. With its unrestricted view, functional interior and well positioned controls, the JX cab is ideal for farmers and growers who require a comfortable environment for long hours in the field.

Clear and comprehensive. Easy-to-read dashboard with analogue instrumentation.

All the power you need. Three and four cylinder diesel engines from 59 to 94 hp(cv) are quieter and more economical.

High capacity hydraulics. The JX tractor offers the ultimate in flexibility for precision operations with up to 52 litre/min pump flow. The hitch now features a ground access lever.

Front axle options. Available in two or four-wheel drive, with a robust front axle design for excellent ground clearance and a tight turning circle.

Sitting in comfort. The fully adjustable suspension seat can be easily adjusted to give the operator the necessary support, even when working on rough terrain.

High lift capacity. Category II three point hitch with lower link sensing and high lift capacity of up to 3565 kg.

Power or economy PTO. Two-speed independent PTO system offers 540 and 540E, or 540 and 1000 rpm.



Easy shifting transmission. 12 x 12 speed synchromesh 30 or 40 kph transmission, with 20 x 12 creep speed version available.

UNBEATABLE PERFORMANCE ALL OVER THE FARM

- New generation of economical engines
- Impressive steering and braking for excellent manoeuvrability
- Comfortable cab with neatly laid out controls and instruments
- Great versatility with powerful hydraulics and PTO

The Case IH JX range of utility tractors is ideally suited for light cultivation, grassland or speciality crops. With five models in the range from 59 – 94 hp (cv), the new JX tractor is perfect for the smaller scale farmer or grower who needs a totally reliable, high performance tractor for a variety of root crop and harvesting applications.

High comfort safety cab. Operators will feel secure and comfortable in the JX cab, with large glass doors and windows, carefully positioned controls and a fully adjustable suspension seat that create the ideal working environment. According to market availability, a heavy-duty, folding two post ROPS is fitted as standard equipment on all noncabbed versions.

Power and flexibility. The latest high torque 3 and 4-cylinder naturally aspirated or turbo charged direct injection diesel engines will give a real boost to any farming operation.

The 12 x 12 synchromesh transmission, with 20 x 12 creep available, features smooth and easy changes plus perfectly matched speeds for maximum productivity.

Easy to handle. JX tractors are very manoeuvrable, with a low centre of gravity and minimum turning radius of 3.8 metres (2WD) that operators will find a real bonus during row crop operations or when working with a front loader.

Fast and efficient. With the choice of either two or four-wheel drive, farmers can work easily and efficiently in the field or at high transport speeds with a trailer. A 40 kph version is available for four-wheel drive models.

High capacity hydraulics. A high output pump with up to 52 litre/min flow rate, supplies the three point hitch to give a maximum lift capacity of up to 3565 kg. Up to three remote valves are available to power pumps, rams and front-mounted equipment. The JX Series can handle a wide range of farming applications with ease.

Power at the PTO. The two speed 540 & 540E or 540 & 1000 rpm PTO is easy to change from a 6 to a 21 spline shaft system, giving farmers the choice of power or economy.

Remote control. Up to three single or double acting auxiliary valves are available to power pumps, rams and front mounted equipment.

Fuel tank capacity. 92 litre fuel tank means you can spend more time in the field.

The new JX Series. A versatile workhorse you can rely on!



The latest generation of diesel engines delivers up to 36% torque rise for superior engine performance.



"CrossFlow" cylinder head design is used to reduce fuel consumption.



The JX70, JX90 and JX95 features a turbocharger to enhance performance.



POWER IN RESERVE

- New, more powerful 2.9 and 3.9 litre engines
- Tier II compliant for low environmental impact
- Enhanced structural design for less wear and noise
- Up to 36% torque reserve

This new range of high performance three and four - cylinder diesel engines packs all the power farmers need from an utility tractor. They are not only quieter and more environmentally friendly, they also consume less fuel and are more economical to maintain. Not compromising on power and durability, the JX tractor really delivers unbeatable performance all over the farm.

New levels of power. Rated between 59 and 94 hp(cv) there are 5 models to choose from. The JX60 and JX70 (turbo) are fitted with 3-cylinder 2.9 litre engines, developing 59 and 69 hp(cv). The JX80, JX90 (turbo) and JX95 (turbo) feature larger 4-cylinder 3.9 litre engines and produce 80, 89 and 94 horsepower, respectively.

The structure of the block on the new engine has been designed using CAD finite element techniques to minimise noise and vibration and increase torsional rigidity. At the same time as reducing wear and oil consumption, strength and performance have been increased to give the JX range an exceptionally favourable power-to-weight ratio.

Plenty of torque in reserve. JX engines generate high power output for efficient operation with the PTO, tillage, planting or loader equipment. With a high torque reserve of up to 36% the tractor is able to haul heavy loads at up to 40 kph on the road or work in heavy ground conditions without losing power.

Greater staying power. To help you stay out there longer a 92 litre easy-fill fuel tank is fitted to all models. All in all, the new design of engine keeps the JX tractor performing at maximum efficiency hour after hour, quietly and economically.

Excellent power to weight ratio for top work or general purpose applications.



Best accessibility, allowing all-round access for service and maintenance.



Proven and durable design for maximum power and torque transfer.



All transmissions feature ergonomically positioned control levers.



Effortless direction changes using the left hand shuttle control.



JX DRIVE SYSTEMS FOR MANOEUVRABILITY

- Choice of transmissions
- Forward/Reverse shuttle control
- Excellent steering and braking
- Diff-lock on 4WD versions

The JX models can be supplied with a choice of full synchromesh transmissions, including a creeper gearbox option. The simple yet robust design of these transmissions features carefully spaced gear ratios designed to match every farming application. Combined with high ground clearance and excellent handling regarding steering and braking, the JX is a tractor you can rely on to operate quietly and economically all over the farm, and on the road.

More working choice. A 20 x 12 creep speed transmission is available for ditching and stone crushing work or specialised seeding and planting operations. The system features six forward gears below the standard lowest, giving speeds as low as 300 metres per hour. During operation, the creep speeds can be engaged/disengaged using a lever separate from the main transmission. This reduces cycle times and speeds up headland turns.

Shuttle control and precise steering for superb handling.

The synchronised forward/reverse shuttle control can be engaged on-the-move by dipping the clutch pedal to make easy work of loading and manoeuvring in sheds or greenhouses where space is limited. With a steering angle of 50°, operators have more control in tight spaces and at headlands, causing minimum damage to soil and tyres.

40 kph transmission. Available on models fitted with four-wheel drive where farmers need increased performance during transportation and road work.

4WD versions fitted with diff-lock as standard. By choosing four-wheel drive more power is converted into drawbar pull, so operators enjoy greater stability, improved traction and increased fuel efficiency. The fully integrated four-wheel drive system is engaged mechanically by a lever mounted to the right hand side of the seat.

Increased braking power. Front hydraulic brakes are fitted as standard on all four-wheel drive JX tractors. The system features positive straight line braking with low pedal effort and self-adjusting disc brakes. Brake pedals are now fitted with boots for added protection. Hydraulic or air systems are available for trailer brakes.

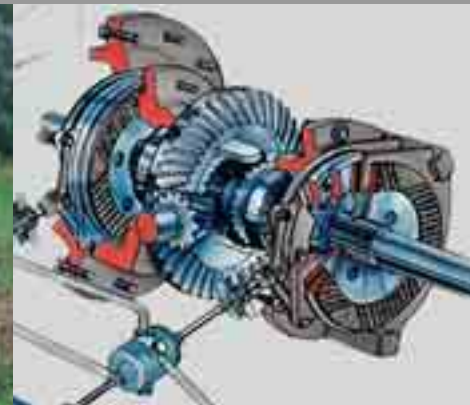
An adjustable two-wheel drive axle with 8 track settings is available.



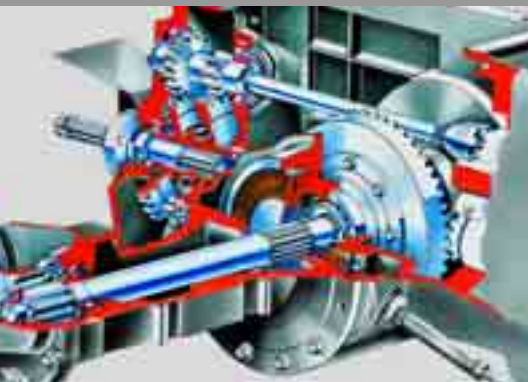
Maximum tractive effort is achieved due to four-wheel drive and differential locks.



All JX tractors are equipped with mechanically activated, wet disc brakes.



The JX tractor models feature a fully independent PTO driveline with efficient power transfer.



Simple and safe operation of the two speed PTO.



Groundspeed PTO drive engagement for trailers, spreaders and feeders (not available in UK or Eire).



ALL THE POWER YOU NEED

- High flow rate up to 52 l/min
- Ground access lever simplifies implement handling
- Up to 3 remotes available
- 2-speed PTO for power or economy

Fitted with a high power dedicated pump, a new hitch control lever outside the cab, up to 3 remote valves and a multitask PTO, there is no questioning the capabilities of the JX Series regarding power and control. Whatever work you have got lined up for the JX tractor, this workhorse is fully equipped to meet your schedule.

Fast and responsive. The high flow, easy to operate hydraulic system is powered by a fully independent pump with a 40 litre/min (52 litre/min optional) flow rate, and a dedicated oil pump of 26.5 litre/min for steering, giving fast and responsive operation during linkage, loader and trailer tipping work. The three-point hitch on the JX model has a maximum lift capacity of up to 3565 kg.

Better hitch control. Using Mechanical Hitch Control (MHC), operators can raise and lower the hitch at the flick of a switch, without having to move the position or draft control levers. The four position sensitivity

control lever will adjust fast/slow lift response speeds, while the lowering speed is easily adjusted using a control under the seat. The JX tractor now comes with a ground access lever allowing the hitch to be operated from outside the cab, making implement handling a great deal easier.

Hydraulic versatility. The JX series is designed to handle a wide range of farming applications. Up to three auxiliary valves are available to power pumps, rams, trailers and front-mounted equipment, each with its own control lever mounted to the right hand side of the operator's seat.

Power or economy. The JX tractors feature a mechanically engaged two speed PTO system, for a smooth transfer of power. 540 & 540E or 540 & 1000 rpm can be selected using a lever at the rear of the seat, giving farmers the choice of power or economy. Changes from a six spline to a twenty one spline shaft system are easy and quick.

Efficient power transfer. The dry type clutch transfers power to the implement without affecting the tractor speed, matching performance to ground speed conditions. The PTO shaft is free to rotate when the engine is switched off.

Up to 3565 kg lift capacity to handle large implements.



The Mechanical Hitch Control (MHC) features a lower link draft sensing system.



The auxiliary remote valve system offers up to three rear valves.



The JX models offers a choice of a standard or deluxe seat with air suspension.



Superb all-round visibility.



Excellent ventilation with an air conditioning system also available.



WORKING IN COMFORT

- Excellent all-round visibility
- Comfortable operator environment
- Easy-to-use controls and instrumentation
- ROPS versions available

The JX cab provides operators with a quiet and safe working environment, surpassing all legislation regarding vibration and noise. Equipped with all features you expect from a Case IH tractor, this cab puts you in business for a comfortable and yet highly productive working day around the farm and on the road.

Easy access, great visibility. Non-slip cab steps provide safe and sure access through wide-opening doors, that allow the operator to enter the spacious interior from either side. The curved sloping hood and fully glazed doors combine to give an excellent all-round view of the working area.

Inside the cab there is a heating and ventilation system to provide a comfortable operator environment all the year round (air-conditioning is also available). The climate controls are conveniently housed in the roof lining of the cab.

Logical laid out, easy to use. All operating controls are positioned within easy reach. The floor remains uncluttered, with excellent access to both foot and hand controls. In front of the operator is a large, easy-to-read instrument display console with engine oil pressure warning, rev counter, air-filter condition indicator plus coolant temperature and fuel gauges.

Smooth gear selection for the four synchromesh speeds and three speed ranges is achieved using two floor mounted levers on the operator's right with the synchronised forward/reverse shuttle lever positioned on the left.

The PTO and four-wheel drive engagement levers are perfectly positioned on the left hand side, with position and draft control on the right.

Comprehensive lighting package. Powerful halogen work lights mounted in the cab roof plus full road lighting provide the necessary illumination for working at night.

Cableless tractors for the great wide open. The JX Series is also available with a heavy-duty steel rollover protection system (ROPS), including a rigid canopy if required. The ROPS can be folded down for easier access into low storage sheds and buildings, or for working in orchards (ROPS versions not available in UK or Eire).

To optimise night visibility, up to six adjustable work lamps can be fitted to the cab.

Easy to read instrumentation panel is located in front of the operator.

The foldable ROPS is beneficial for low clearance operations (not available in UK or Eire).



Removable condenser unit for ease of cleaning.



Filter can be removed without tools for quick maintenance.



Refuelling at ground level with the easily accessible filler neck.



STRAIGHTFORWARD SERVICING

- Daily checks are done in no time
- Long service intervals
- Extensive dealership network for original Case IH spares

Reliability, long-life and minimum maintenance are vital to achieving maximum profitability. That is why JX tractors are designed to work hard, give years of trouble-free operation, and keep servicing costs to a minimum to save you time and money.

Minimum maintenance, maximum productivity. There is no need to lift the hood to carry out daily checks, so you can keep working for longer. Routine servicing can be carried out at ground level with excellent access from either side of the tractor.

The clutch and brakes are self-adjusting and the cab air filter can be cleaned or changed from the outside. With long service intervals and spin-on type oil filters, time-consuming servicing is a thing of the past.

Quick and easy access. Access to main components is made easier by the single-piece hood which lifts high to allow better access for cleaning the radiator and, where applicable, the air-conditioning heat exchanger.

JX engines have been designed to work for thousands of hours before a major overhaul, and with parts availability a priority throughout the Case IH tractor range, downtime has been dramatically reduced.

Choosing the right equipment. For precisely the right tractor to suit your operation, contact your nearest Case IH dealer to discuss the wide range of additional equipment now available for the JX Series.

Checking engine oil – without lifting the hood.



The standard or heavy duty battery is mounted under the engine hood at the front of the tractor.



Each automotive type fuse is easily identified to make fault finding and replacement easier.

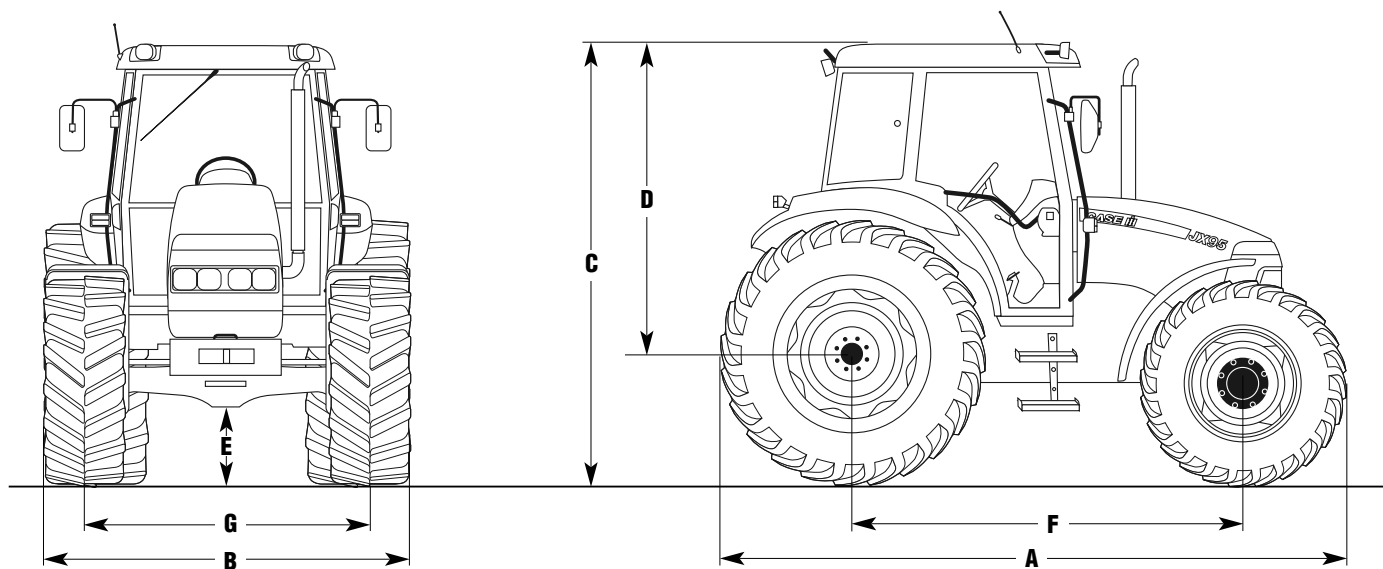


	JX60	JX70	JX80	JX90	JX95
ENGINE					
No. of cylinders / type	3 / naturally-aspirated	3 / turbocharged	4 / naturally-aspirated	4 / turbocharged	4 / turbocharged
Bore / Stroke (mm / mm)	104 / 115	104 / 115	104 / 115	104 / 115	104 / 115
Capacity (cm ³)	2931	2931	3908	3908	3908
Rated power ISO TR14396 - 2000/25/EC (kW/hp(cv))	43.5 / 59	50.5 / 69	58.5 / 80	65.5 / 89	69 / 94
Rated engine speed (rpm)	2500	2500	2500	2500	2500
Max. torque (Nm @ rpm)	207 @ 1500	250 @ 1500	279 @ 1500	320 @ 1500	337 @ 1500
Torque rise (%)	32	36	30	33	33
Emission legislation specification	Tier II	Tier II	Tier II	Tier II	Tier II
Fuel tank capacity (litres)	92	92	92	92	92
Engine oil change interval (h)	300	300	300	300	300
Exhaust		Silencer under hood, exhaust on side along A post			
TRANSMISSION					
Type		Synchromesh, 4 speeds, 3 ranges, 30 or 40 kph			
Number of speeds standard (FxR)	12x12	12x12	12x12	12x12	12x12
Number of speeds with creeper optional (FxR)	20x12	20x12	20x12	20x12	20x12
Lowest ground speed (kph)	0.30	0.30	0.30	0.30	0.30
Rear axle differential lock engagement		Mechanical			
Service brake		Mechanically operated wet disc brake, self adjusting			
DRIVE AND STEERING					
Four-wheel drive engagement			Mechanical		
Axle oscillation (°)	11 + 11	11 + 11	11 + 11	11 + 11	11 + 11
Steering angle 2WD/4WD (°)	55 / 50	55 / 50	55 / 50	55 / 50	55 / 50
Min. turning radius 4WD (m)	3.6	3.6	4.1	4.1	4.1
Diff. lock engagement	automatic	automatic	automatic	automatic	automatic
POWER TAKE OFF					
Type		Mechanical			
Speeds (rpm)		540 / 540E or 540 / 1000			
PTO speed / engine speed (rpm)		540 at 2200			
		540E at 1715			
		1000 at 2380			
PTO shaft		Exchangeable 6/21 spline, 1 3/8"			
Ground speed PTO ratio turns per wheel revolution					
540 selected			8.2 / 8.9		
540E selected			10.5 / 11.4		
1000 selected			14.1 / 15.2		
HYDRAULIC SYSTEM					
Max. pump flow main hydraulic (l/min)			Standard: 40 l/min Optional: 52 l/min		
System type			Open centre		
Max. system pressure (bar)	190	190	190	190	190
Max. flow incl. steering pump (l/min)			Standard: 66.5 l/min Optional: 78.5 l/min		
Control			MHC (mechanical hitch control)		
Max. lift capacity (kg)	3000	3000	3565	3565	3565
Max. number of remote valves	3	3	3	3	3
Category type	Cat. I-II	Cat. I-II	Cat. II	Cat. II	Cat. II

	JX60	JX70	JX80	JX90	JX95
CAB					
ROPS Version	●	●	●	●	●
WEIGHT					
Minimum weight cab 2WD/4WD (kg)	2840 / 3080	2840 / 3080	3170 / 3600	3170 / 3600	3340 / 3770
Minimum weight ROPS 2WD/4WD (kg)	2650 / 2920	2650 / 2920	2940 / 3420	2940 / 3420	3150 / 3580
Max. permissible weight on the front axle 2WD/4WD (kg)	2000 / 2200	2000 / 2200	2000 / 2800	2000 / 2800	2000 / 2800
Max. permissible weight on the rear axle (kg)	3000	3000	4000	4000	4000
DIMENSIONS¹⁾					
A Overall length 2WD / 4WD (mm)	3918 / 3862	3918 / 3862	4032 / 3976	4032 / 3976	4115 / 4059
B Minimum overall width (across rear fenders) (mm)	1808	1808	1808	1808	1808
C Total height ROPS / Cab (mm)	2530 / 2512	2530 / 2512	2558 / 2540	2584 / 2566	2636 / 2618
D Height at centre of rear axle to top of ROPS / Cab (mm)	1896 / 1878	1896 / 1878	1896 / 1878	1896 / 1878	1896 / 1878
E Ground clearance under drawbar 2WD / 4WD (mm)	275 / 265	275 / 265	285 / 292	346 / 333	390 / 375
F Wheel base 2WD / 4WD (mm)	2175 / 2119	2175 / 2119	2305 / 2249	2305 / 2249	2388 / 2332
G Track settings					
Front 2WD min./max. (mm)	1400 / 1900	1400 / 1900	1410 / 1910	1410 / 1910	1410 / 1910
Front 4WD min./max. (mm)	1450 / 1880	1450 / 1880	1550 / 1980	1550 / 1980	1550 / 1980
Rear min./max. (mm)	1425 / 1925	1425 / 1925	1420 / 2025	1420 / 2025	1420 / 2025
STANDARD TYRES *					
Front 2WD	7.50-16 /	7.50-16 /	7.50-16 /	7.50-18 /	7.50-18 /
4WD	9.5-24	9.5-24	11.2-24	12.4-24	12.4-24
Rear	14.9-30	14.9-30	16.9-30	18.4-30	18.4-34

(*) to comply with legislation and specification in your country ¹⁾ With Standard tyres ● Standard

DIMENSIONS




Powering agriculture for 160 years

It was back in 1842 that we started creating powerful machines for the farming sector, and we have never stopped. Over these long years we have gathered, preserved and made good use of all the tradition, experience and prestige of those who, like us, have the present and future of the people who work the land at heart. The superb range of tractors, balers, forage harvesters and Axial-Flow and conventional combines that Case IH offers you reflects all the heritage of **Case, International Harvester** and **David Brown**, three great agricultural equipment producers and brands, and all the power, productivity, reliability and performance essential in improving your farm's returns on today's market.

Walk into a Case IH dealership with high expectations and you will not be disappointed: you will find powerful tough, efficient machines with an array of top-range features, an unrivalled after-sales service, all the guaranteed Case IH genuine parts, and the customised financial packages **CNH Capital** has created especially for agricultural entrepreneurs.

You will find the world of Case IH: **power by tradition.**



 Safety never hurts! Always read the Operators Manual before operating any equipment. Inspect equipment before using it, and be sure it is operating properly. Follow the product safety signs, and use any safety features provided.

This literature has been published for worldwide circulation. The standard and optional equipment and the availability of individual models may vary from one country to the next. Case IH reserves the right to undertake modifications without prior notice to the design and technical equipment at all times without this resulting in any obligation whatsoever to make such modifications to units already sold. Whilst every effort is made to ensure that the specifications, descriptions and illustrations in this brochure are correct at the time of going to press, these are also subject to change without prior notice. Illustrations may show optional equipment or may not show all standard equipment.

Case IH recommends **AKCELA™** lubricants

Case International Limited - Cranes Farm Road - Basildon - Essex - SS14 3AD

© 2004 CASE IH - www.caseih.com - JX Series-UK-BR - Printed in Italy - 04/04 - TP02 - Cod. N. 4C0003/COM

CASE IH

Power by tradition

CNH

**CASE IH IS A BRAND OF CNH.
CNH: A WORLD-LEADING MANUFACTURER OF TRACTORS, COMBINES AND BALERS.**